

Audio Muting Switch

- Inline “no pop” audio muting for a Lectrosonics wireless microphone system
- Compatible with all Lectrosonics transmitters with TA5M (5-pin) input jacks
- Rugged machined aluminum construction
- Weather sealed design

The Kit Includes:

- MUTE switch
- SMKITTA5 5 pin connector kit with spare sleeve
- REFUMCABLE cable



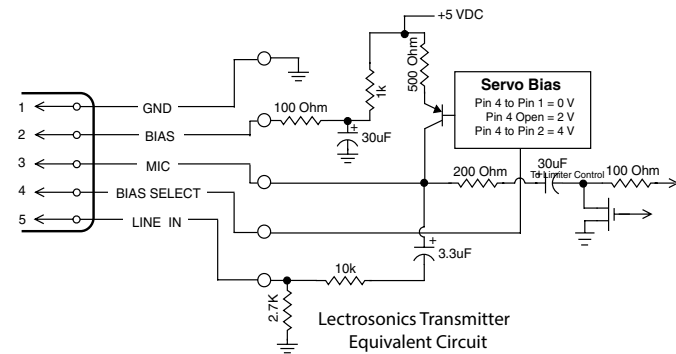
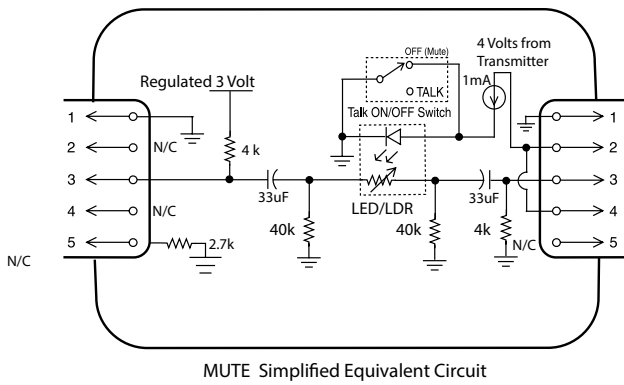
The MUTE switch is an active device that is powered by the bias voltage on any Lectrosonics transmitter with a TA5M input connector. The switch is inserted between the microphone and transmitter with the supplied cable, and worn in a convenient location for easy access to the toggle switch.

The design uses an optically coupled switch to mute the audio signal without any clicks or pops in the audio. It does not affect the RF output of the connected transmitter. The toggle switch is weather resistant and the included cable has weather resistant vinyl boots at each end. A wiring kit is included that provides a 5 pin connector, strain reliefs, and an additional water resistant vinyl boot to protect the lavalier mic connector from moisture.

The MUTE switch is well suited for sporting events outdoors because of its weather sealed toggle switch, powder coated housing and anodized belt-clip. The toggle switch can easily be operated under garments, and offers very positive action. The reversible belt clip helps to position the switch according to the user's preference.



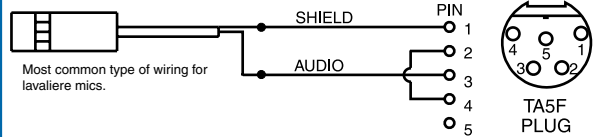
Compatible Wiring for Servo Bias and Earlier Transmitters



Various wiring configurations are available to work with a wide variety of lavalier and head worn microphones. The diagrams shown here include the most common types of microphones. Call the factory if you have questions or a problem with wiring your microphone.

Fig. 1

4 VOLT POSITIVE BIAS 2-WIRE ELECTRET



WIRING FOR LECTROSONICS M152/5P

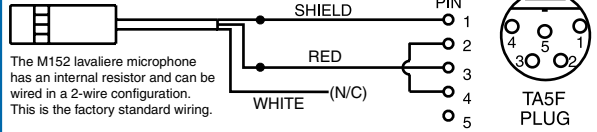


Fig. 2 - DPA Microphones

DANISH PRO AUDIO MINIATURE MODELS

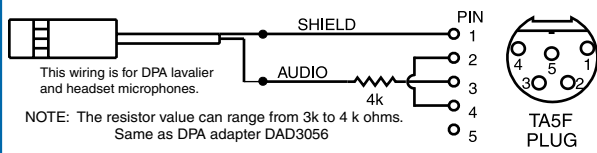
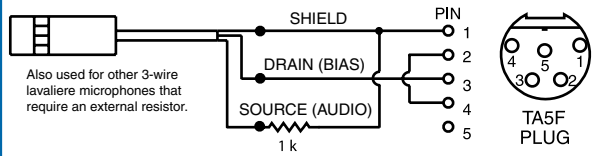


Fig. 3 - Sanken COS-11 and others

4 VOLT POSITIVE BIAS 3-WIRE ELECTRET WITH EXTERNAL RESISTOR



Simple Wiring - Can ONLY be used with Servo Bias Inputs:

Servo Bias was introduced in 2005 and all Lectrosonics transmitters with TA5M inputs have been built with this feature since 2007.

Fig. 1

2 VOLT POSITIVE BIAS 2-WIRE ELECTRET

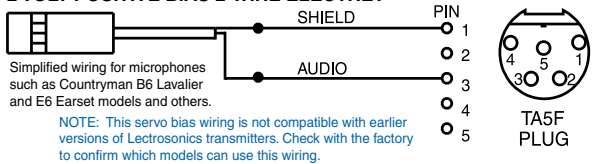


Fig. 2

4 VOLT POSITIVE BIAS 3-WIRE ELECTRET

