

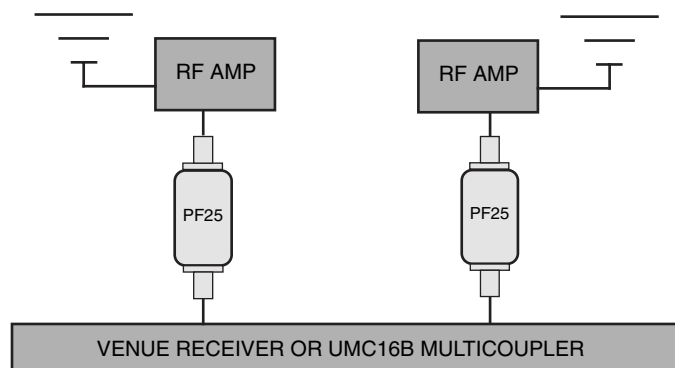
Passive Filter for Receiving Antennas

- Used in high quality receiving antenna systems to suppress interference
- SAW (surface acoustic wave) filter
- Passes DC power to antenna amplifier
- Rugged metal housing with standard BNC connectors
- Bidirectional design for convenience

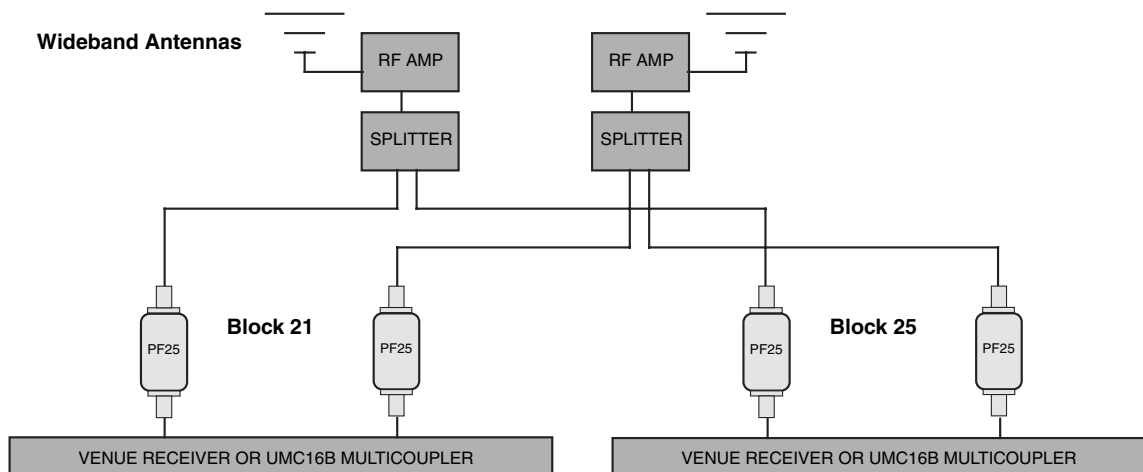


The PF25 passive filter is inserted into a coaxial line between the antenna and a receiver or multicoupler to suppress RF signals and noise outside of the desired operating band. In essence, it provides the same function as front-end filters in a receiver, reducing interference and intermodulation. The filter will also pass DC “phantom” power from a Venue receiver or UMC16B multicoupler to operate a remote antenna amplifier.

The filter can be used with a single receiver or multicoupler to improve selectivity, or used in more complex signal distribution systems where the antenna/s feed two or more receiving systems in different frequency ranges.



Example: Filtering for wideband antennas and RF amp



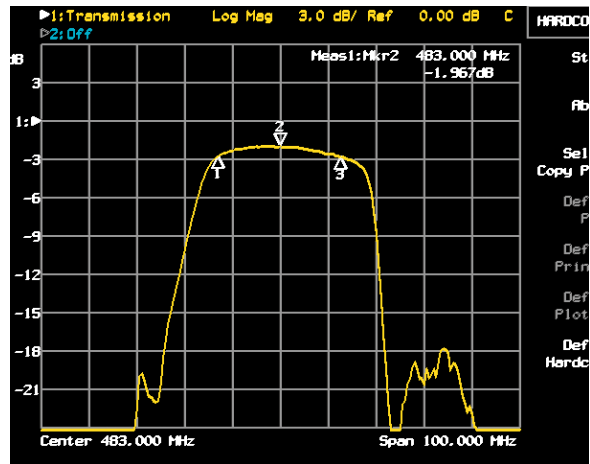
Example: Filtering wideband signal sources into separate frequency bands



Specifications

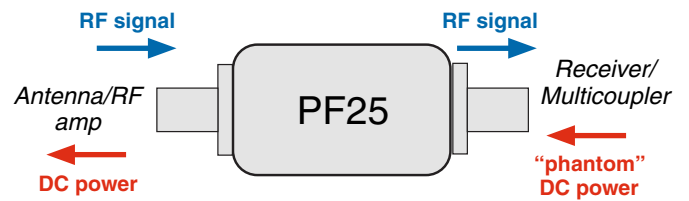
Filter type: SAW (surface acoustic wave)
 Bandwidth: Varies with frequency block
 Standard frequency blocks:
 Maximum RF level: +10 dBm
 DC bias power capacity: 350 mA max.
 Input impedance: 50 Ohm BNC
 Output impedance: 50 Ohm BNC
 Dimensions: 2.97 x 0.84 dia. (inches)
 75 x 21 dia. (mm)
 Weight: 2.7 ozs. 76 grams

Block	Frequency MHz
470	470.100 - 495.600
19	486.400 - 511.900
20	512.000 - 537.500
21	537.600 - 563.100
22	563.200 - 588.700
23	588.800 - 614.300
24	614.400 - 639.900
25	640.000 - 665.500
26	665.600 - 691.100
27	691.200 - 716.700
28	716.800 - 742.300
29	742.400 - 767.900

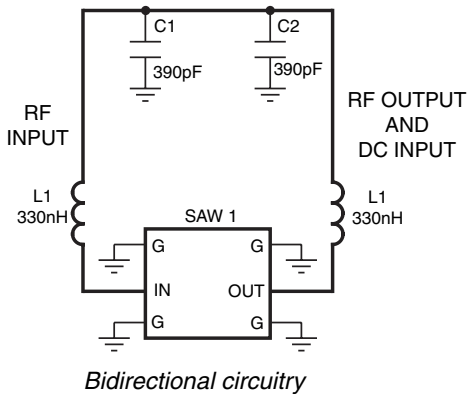


Filter envelope in UHF TV channel band

Connections and Signal Path



DC power for a remote antenna RF amp can be supplied by phantom power from a Venue receiver or UMC16B multicoupler.



Declaration of Conformity

LECTROSONICS, INC.
 581 Laser Road
 Rio Rancho, NM 87124 USA

Declare under our sole responsibility that the following products:

PF25-19 PF25-20 PF25-21 PF25-22 PF25-23
 PF25-24 PF25-25 PF25-26 PF25-27 PF25-28
 PF25-29 PF25-470

Description: Passive Filter for Receiving Antennas

to which this Declaration relates,

are in conformity with Directive 2011/65/EU of the European Parliament and of the Council of 8 June 2011 (RoHS Recast).

Robert Cummings

Robert Cummings
 V.P. Engineering
 Lectrosonics, Inc.

3 January 2013



581 Laser Road NE • Rio Rancho, NM 87124 USA • www.lectrosonics.com
 (505) 892-4501 • (800) 821-1121 • fax (505) 892-6243 • sales@lectrosonics.com

12 June 2018